

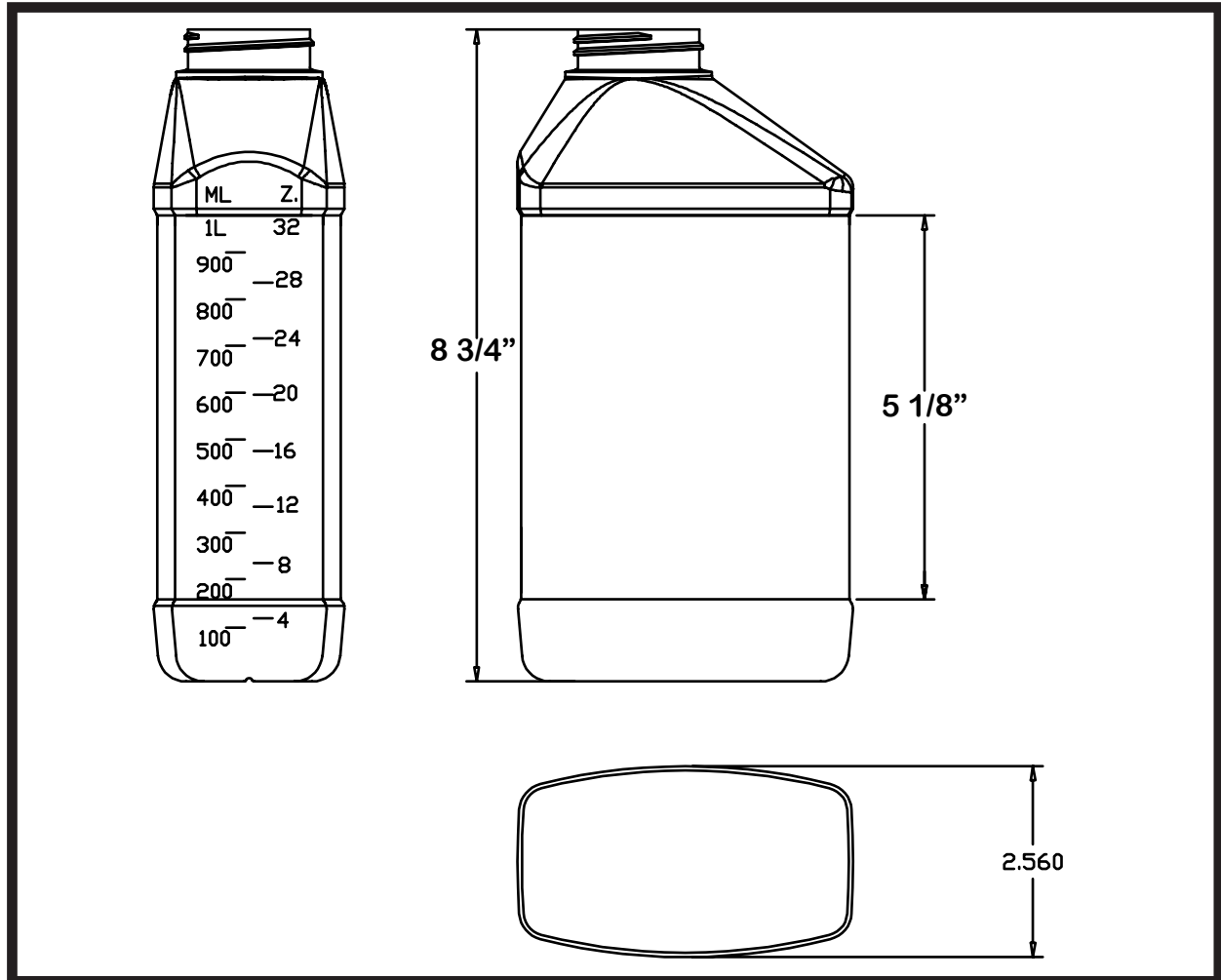


PARAGON PACKAGING INC.

1-800-899-1010

WWW.PARAGON-PACKAGING.COM

32 Ounce Rectangle Offset Neck 45-400 With View Stripe



MATERIAL: HDPE

NECK FINISH: 45-400

WEIGHT: 67 GRAMS

BOTTLE HEIGHT: $8 \frac{3}{4}$ "

BOTTLE PANEL: $5 \frac{1}{8}$ "

WIDTH: 2.560

CAPACITY: 32 OUNCES



BULK PACK: 138 EA.

UNIT PACK: 1,242 EA.
9 CASES PER UNIT