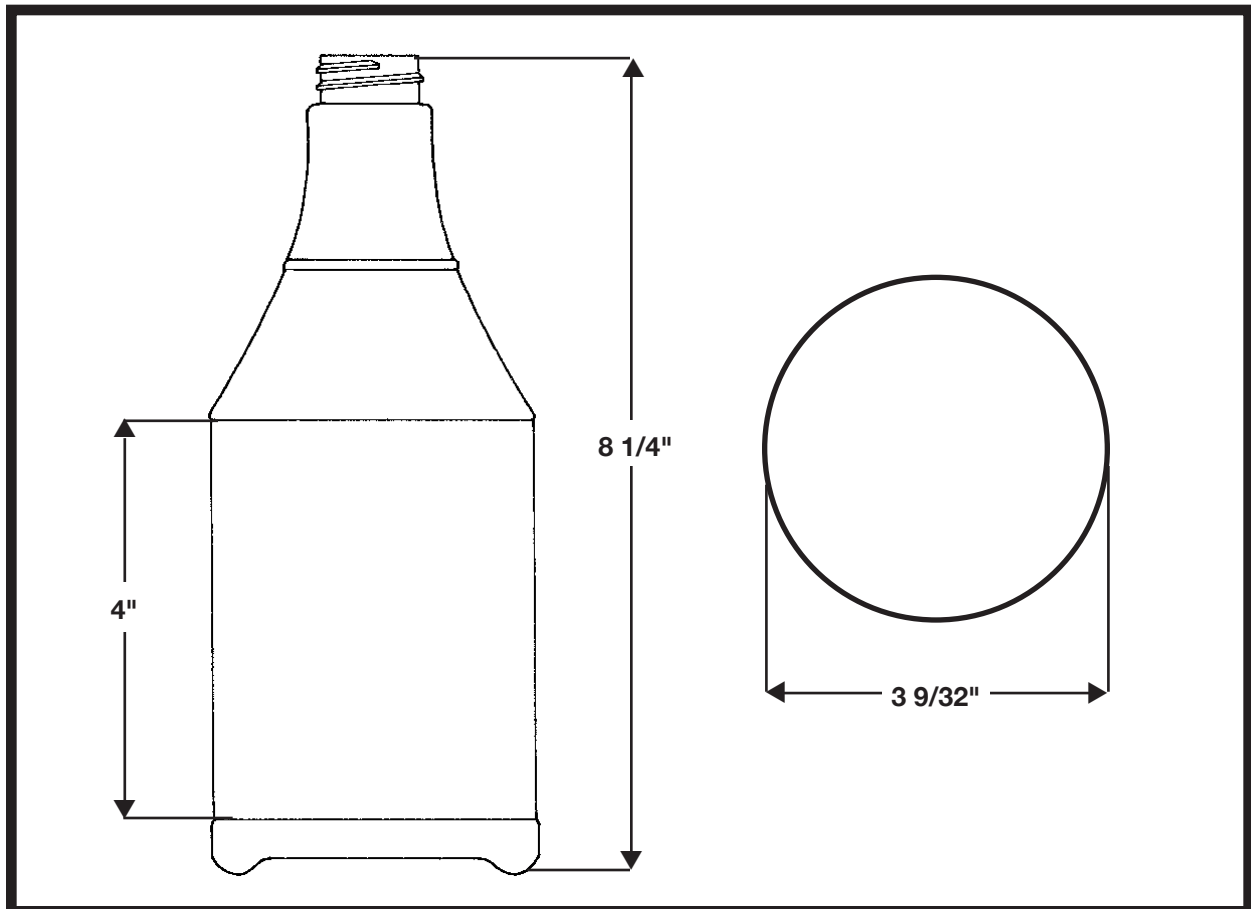


## 24 Ounce Sprayer



**MATERIAL:** HDPE

**NECK FINISH:** 28-400

**WEIGHT:** 45 GRAMS

**BOTTLE HEIGHT:** 8 1/4"

**PANEL HEIGHT:** 4"

**DIAMETER:** 3 9/32"

**CAPACITY:** 24 OUNCES



**SILKSCREEN DIMENSIONS:**

3 1/4" Height x 6" Width

**CASE PACK:** 150 EA.

**UNIT PACK:** 1350 EA.

**NOTE:** BOTTLE IS ENGRAVED ON LABEL  
PANEL AREA 2 - 19 OUNCES, 100 - 550  
MILLILITERS.