

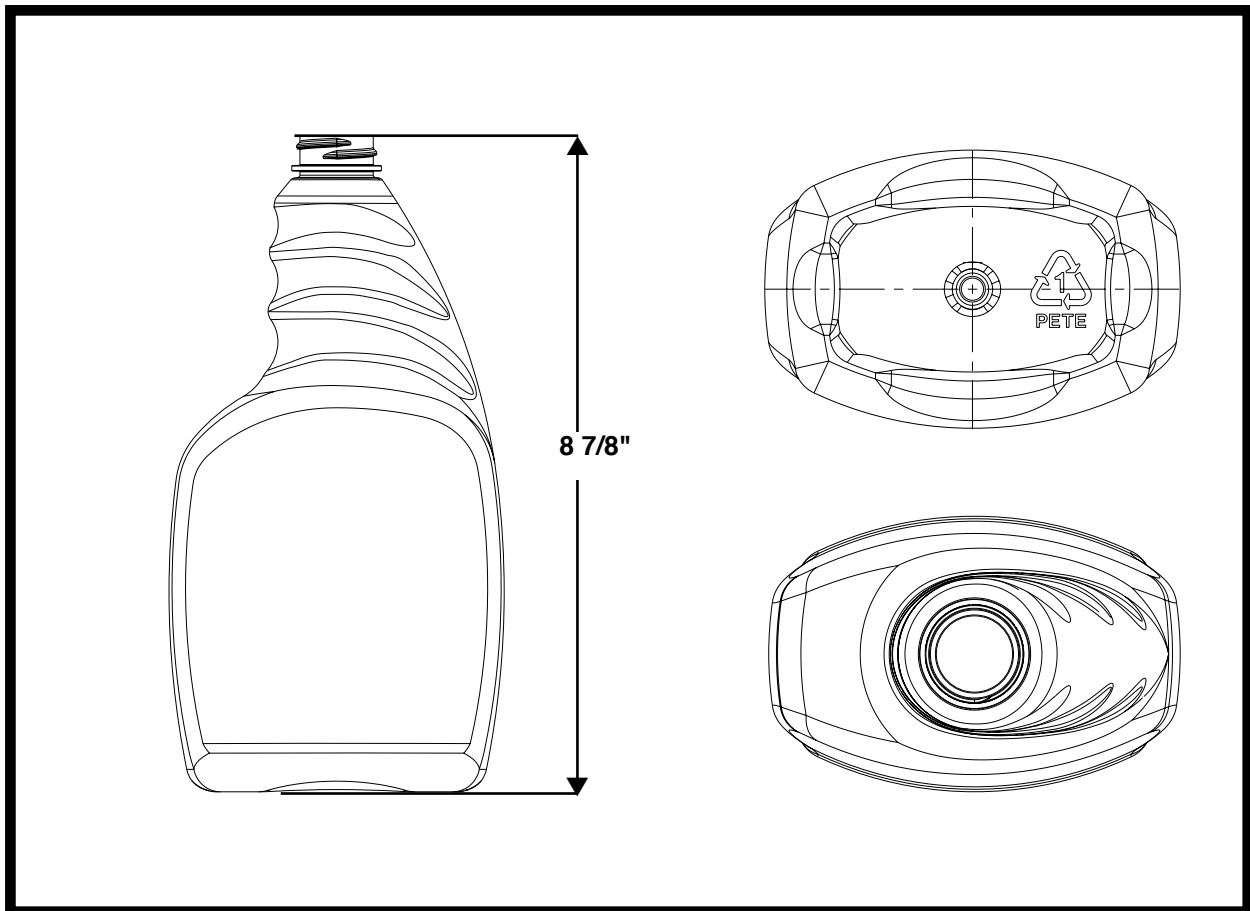


PARAGON PACKAGING INC.

1-800-899-1010

WWW.PARAGON-PACKAGING.COM

32 OZ PET SPRAYER 28-400



MATERIAL: PET

NECK FINISH: 28-400

WEIGHT: 45 GRAMS

BOTTLE HEIGHT: 8 7/8"

BOTTLE PANEL: 4 X 3 1/2 "

CAPACITY: 32 Oz.

CASE PACK: 84

UNIT PACK: 1344 EACH BULK

